



2802 WHITE HORSE ROAD
GREENVILLE, SOUTH CAROLINA 29611
(864) 605-5000

PROJECT NON-LOAD BEARING SPANDREL TO DT
(FIELD TOPPED)

JOB NO.
STD

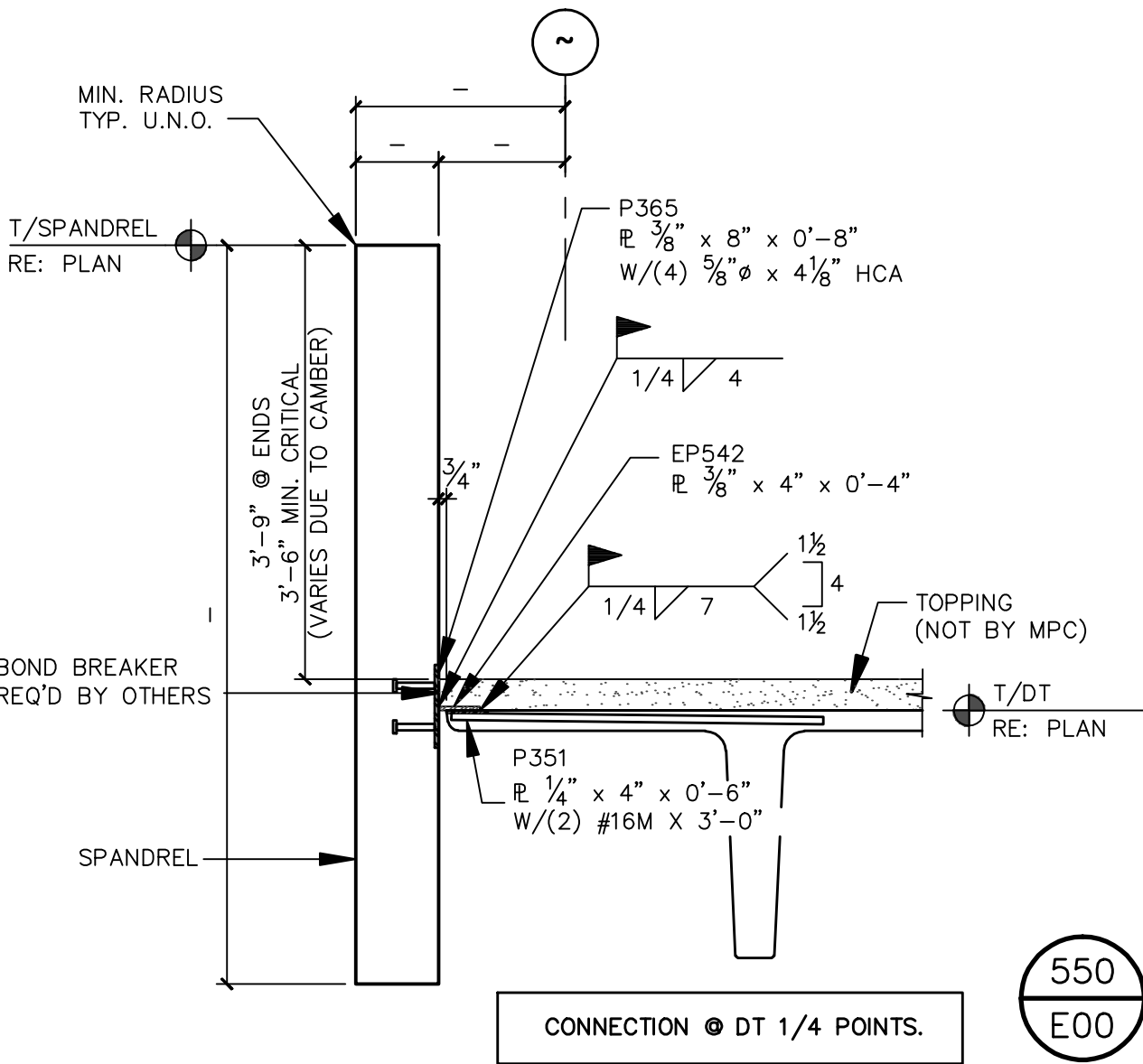
DATE
01/04/05

DWN. BY
STAFF

DATE
11/16/2010

CHK. BY
HAG

SHEET
D0550



MPC_8 1/2" x 11" Detail